

# ePitch

Monitor | Educate | Reduce

4G LTE & 3G GSM REMOTE MONITOR

DUAL PITCH DIN MOUNT 'DUO'

## About ePitch DIN

e-Pitch is a fast, effective way to monitor and control costs and power usage, allow guests to pay for what they use, keep track of the environmental impact resulting from power use and encourage guests to use less electricity. Monitor, Educate, Reduce.

## Why Choose ePitch DIN



Simple to Install in existing or new Hook Up boxes

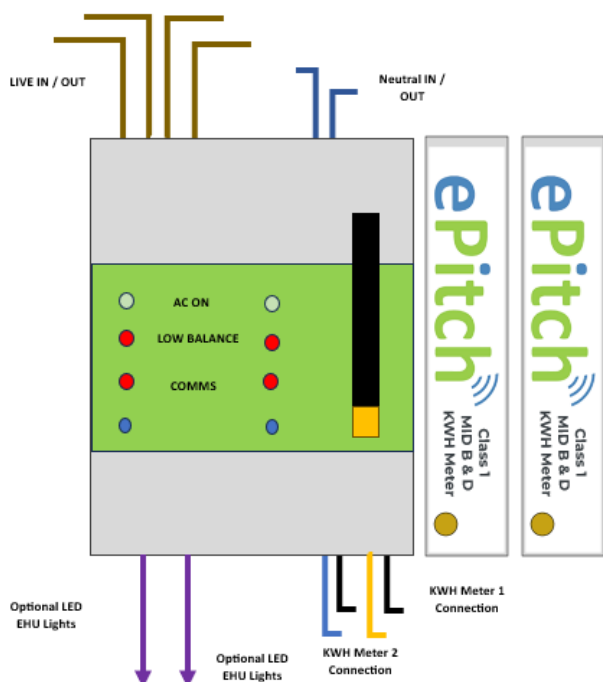


Instant 4G with 2G fallback Connection. SIM Data Included



Already integrated with Park Management Systems such as GemaPark and Anytime

## Installation Overview



## Features & Benefits

### OPERATIONAL



Control Costs – no more shock bills. Transparent charging - Fair for all.



Move Pitch and the account balance follows for each guest. Or don't allocate pitches!



Fair Usage Policy – include some electricity in the overnight fee and only charge when exceeded.



ePitch Online Induction and Training Videos for Staff.



Plug and Pay installation – no extra hubs, routers or networks needed.



4G LTE with fallback 2G GSM Tier 1 Carriers including Vodafone and EE. SIM Data included.



Full ePitch web platform linked to existing Park Management System



Site or guest starts and stops bookings – flexible to fit all site set-ups



Optional Guest App – no need for App to use ePitch and no need for an account

### ENVIRONMENTAL



Full Carbon Footprint provided for Pitch, Site & group to inform ESG statements and encourage less consumption

Contact Us

hello@e-pitch.co.uk / +44 (0)1590 679418